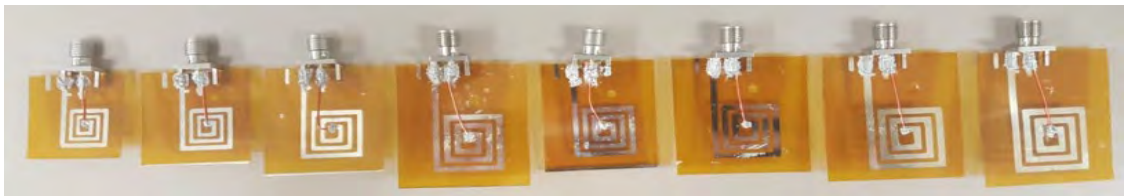


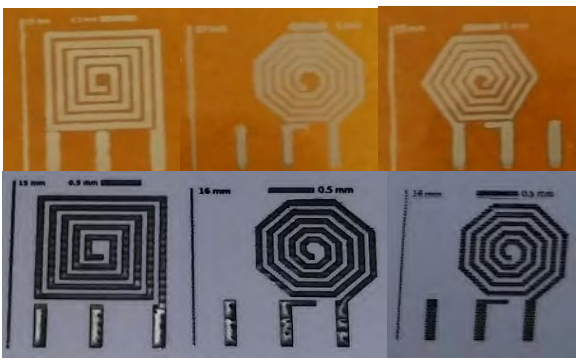
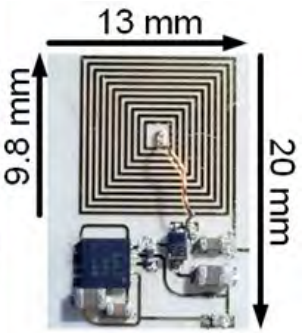
Self-powered Sensor, Antenna Design on Flexible Substrate and On-chip



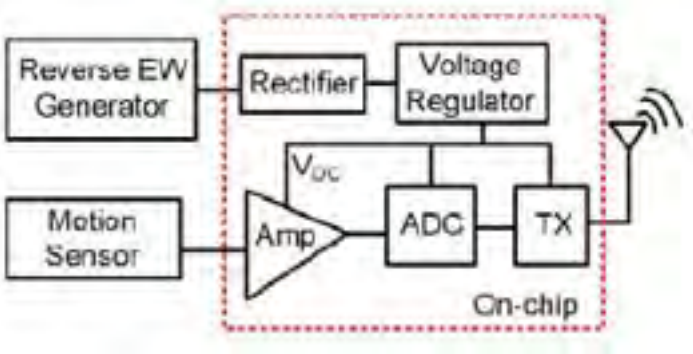
Silver/Nickel 3D printed on Kapton



Gold on PEN substrate

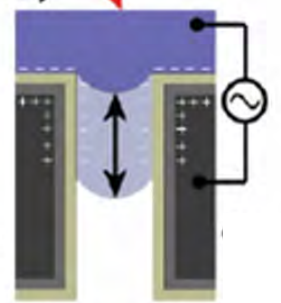


Silver nanoparticle ink-jet printed on Polyimide and paper substrates

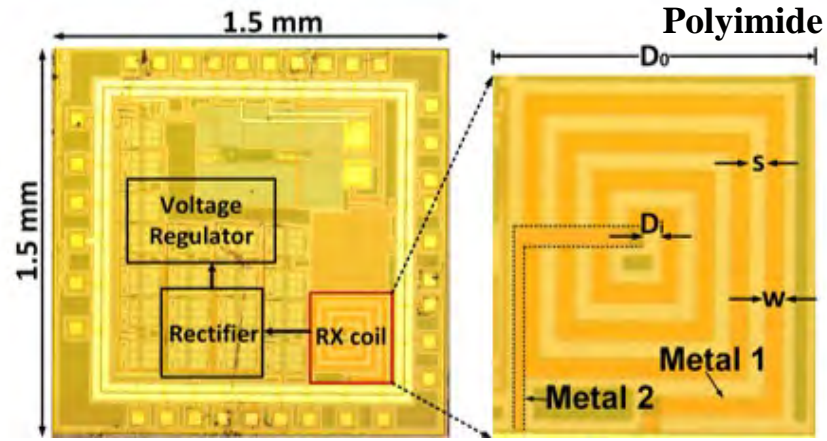


Use controlled porosity to identify key parameters:

- frequency
- pore diameter
- surface finish
- ionic conductivity



Oscillating liquid in pore



Micro-photograph of the on-chip wireless power transfer system designed in CMOS process



Reverse Electrowetting Dielectric (REWOD) based self-powered Stress-strain/vibration sensor