



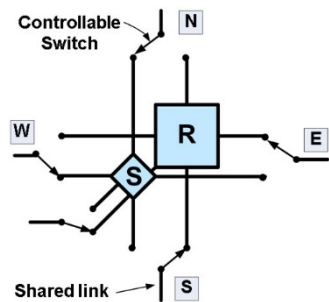
Assistant Professor Hui Zhao

Department of Computer Science and Engineering

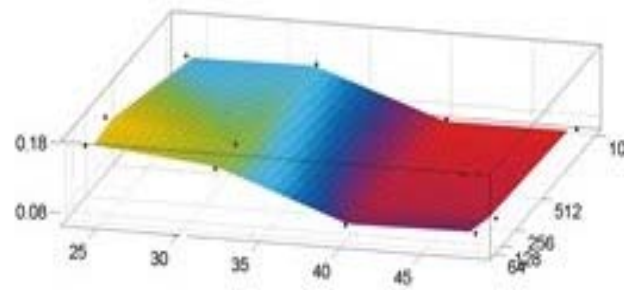
Computer architecture, Networks-on-Chip, emerging memory systems, embedded systems

Research Group: Computer systems and energy-efficient high performance computing

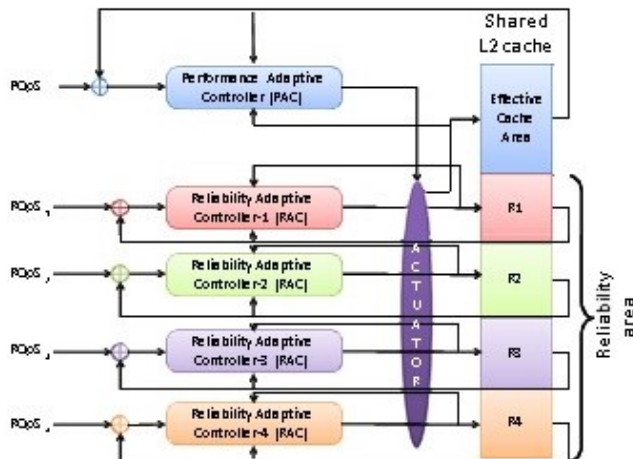
NoC micro architecture



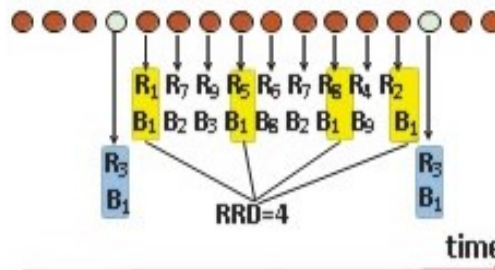
Surface fitting in performance prediction



Feedback control based performance/reliability QoS



Memory request scheduling



Networks-on-Chip

- Active projects in designing new NoC paradigm
- Nano photonics NoC
- Power performance tradeoff

Emerging memory systems

- Non-volatile memories
- 3D-stacked memory
- Process -in-memory

Energy efficient computing

- Task scheduling
- Software/hardware codesign to save power