

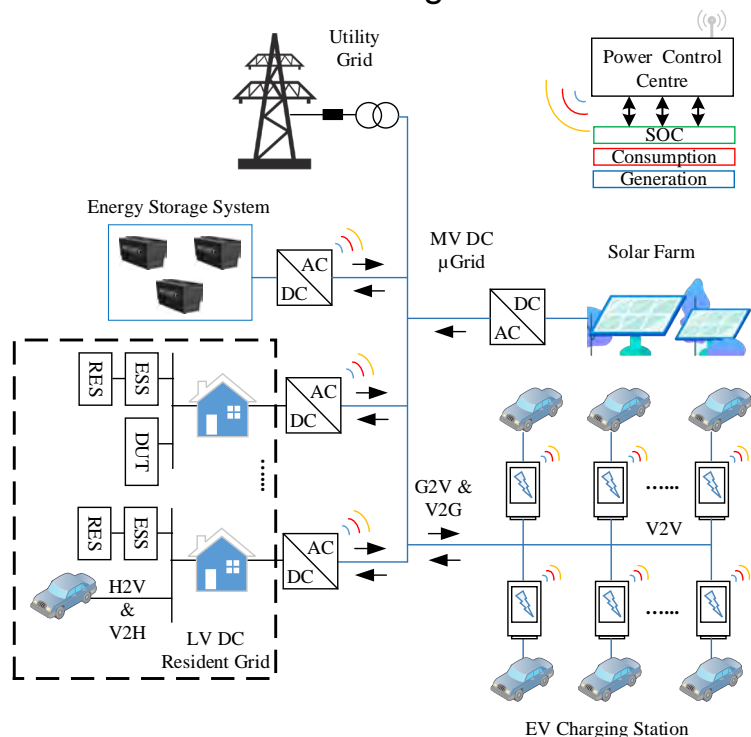
**King Man Siu, Assistant Professor**  
Department of Electrical Engineering

Email: [kingman.siu@unt.edu](mailto:kingman.siu@unt.edu),

Website: <https://pere.engineering.unt.edu/>

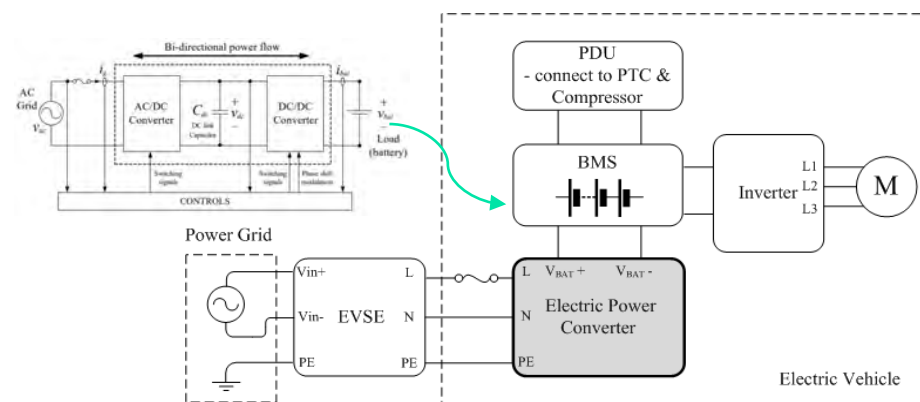
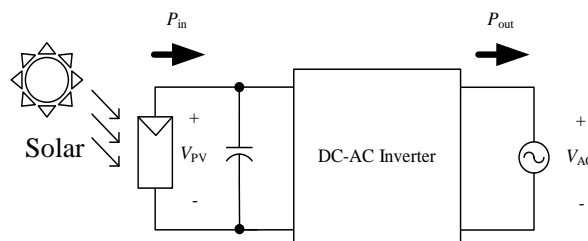
Research interest: power electronics in energy harvesting, electric vehicles, renewable energy applications, and microgrid techniques

**Smart Microgrids**



- Smart energy utilization technology
- Scalable, cost-effective, and environmental-friendly design

**Power Electronics in Grid Integration (EVs and Solar, etc.)**



- Wide-bandgap semiconductor analysis
- Predictive control and efficient topology design
- Grid service of power electronics systems