



PhD EE, D.Sc. TE, Prof. CADS Pavlo Tymoshchuk

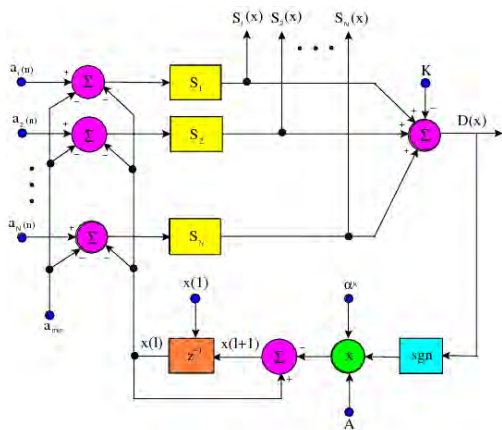
Department of Computer Science and Engineering, College of Engineering

Clinical Associate Professor

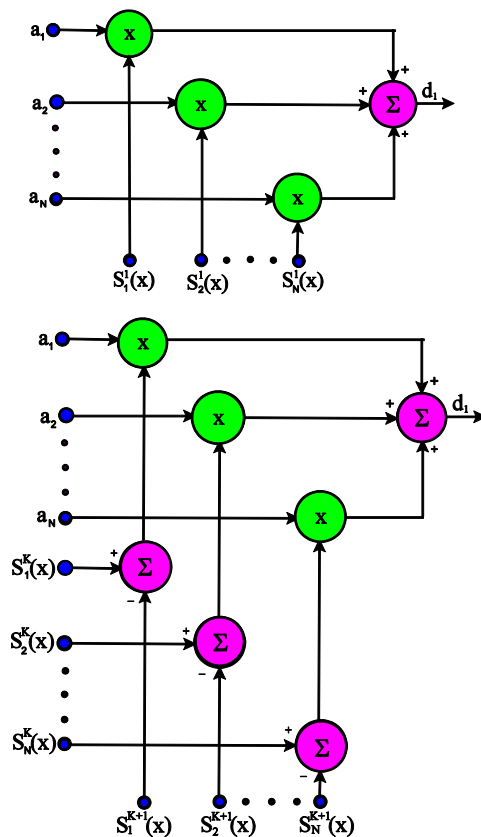
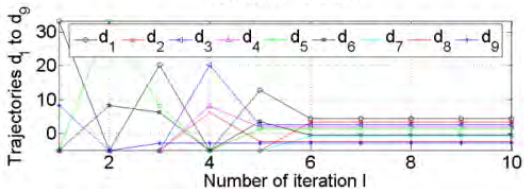
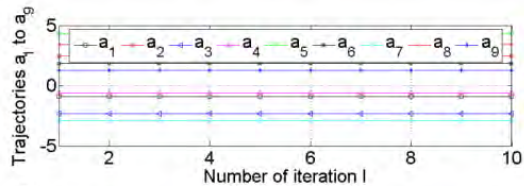
Artificial neural networks, Machine learning, Parallel sorting, Parallel rank-order filtering, Identification and optimal control of nonlinear systems, Telecommunications systems;

Federal funding; 1 PhD student, 12 MSc students, 5 BSc students

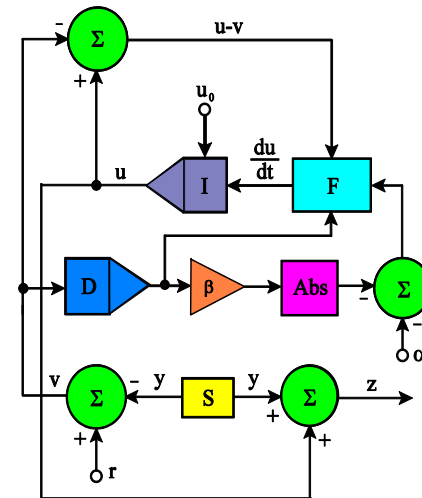
pavlo.tymoshchuk@unt.edu



Discrete-time KWTA NN



Parallel sorting NN



Continuous-time Tracking Control NN

